

FEATURES:

- Capacities: 5kg to 500kg
- Hermetically-sealed Nickel-plated alloy or stainless steel construction
- High side load tolerance
- Protection class IP 68
- OIML C3 approval

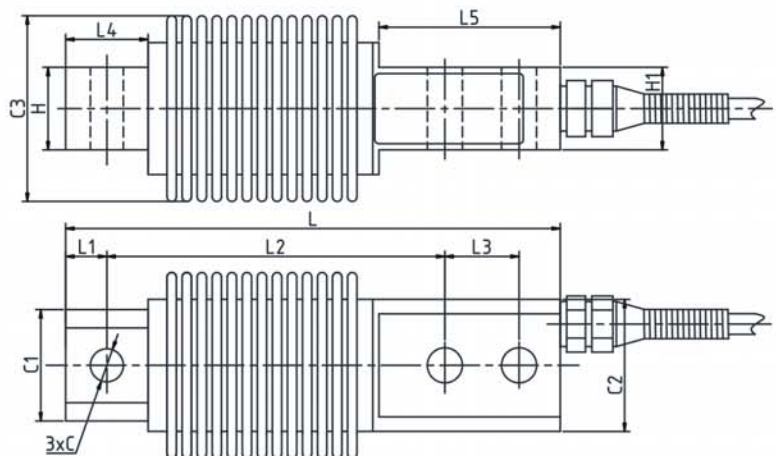
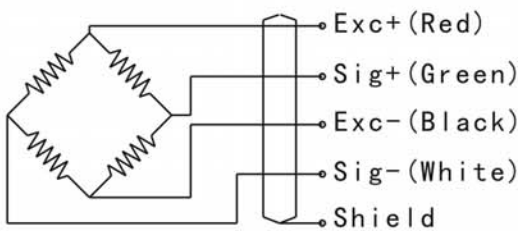


APPLICATION:

- Platform scale (multiple load cells)
- Silo/hopper/tank weighing
- Packing machines
- Dosing/filling
- Belt scales/conveyor scales



Wiring Diagram



| Rated Capacity: | L | L1 | L2 | L3 | L4 | L5 | H | H1 | C | C1 | C2 | C3 |
|-----------------|-----|----|----|----|----|----|----|----|-------|-------|-----|-----|
| 5~250 | 120 | 10 | 82 | 18 | 20 | 44 | 20 | 20 | Φ8.2 | Φ25.5 | Φ32 | Φ45 |
| 300~500 | 120 | 10 | 82 | 18 | 20 | 44 | 20 | 20 | Φ10.2 | Φ25.5 | Φ32 | Φ45 |

SPECIFICATIONS

| | | | |
|--------------------------------|-----------------|----------------------------------|---------------------------|
| Rated capacity: | 5kg to 500kg | Operating temperature range: | -30 to +70°C |
| Rated output: | 2.0 ± 0.002mv/v | Maximum safe overload; | 120% OF R.C |
| Combined error: | ± 0.02% F.S | Ultimate safe overload; | 150% OF R.C |
| Non-repeatability: | ± 0.02% F.S | Recommended Excitation; | 10 to 12V DC |
| Non-linearity: | ± 0.02% F.S | Maximum Excitation; | 15V DC |
| Hysteresis error: | ± 0.02% F.S | Environment protection: | IP68 |
| Zero balance: | ± 1% F.S | Input impedance: | 400 ± 20 Ω |
| Creep error(30minutes): | ± 0.02% F.S | Output impedance: | 352 ± 3 Ω |
| Temperature effect on zero: | ± 0.02% F.S | Insulation resistance at 50V DC: | ≥ 5000MΩ |
| Temperature effect on output: | ± 0.02% F.S | Material: | nickel-plated alloy steel |
| Compensated temperature range: | -10 to +40°C | Cable length: | 3meter, diameter 5mm |