

## Double-ended shear beam

### FEATURES:

- Capacity: 10klb to 125klb
- High output signal
- Complete hermetical sealed, high protection class
- OIML C3 Approval /NTEP III L M10000 Approval
- Stainless Steel, Alloy steel optional

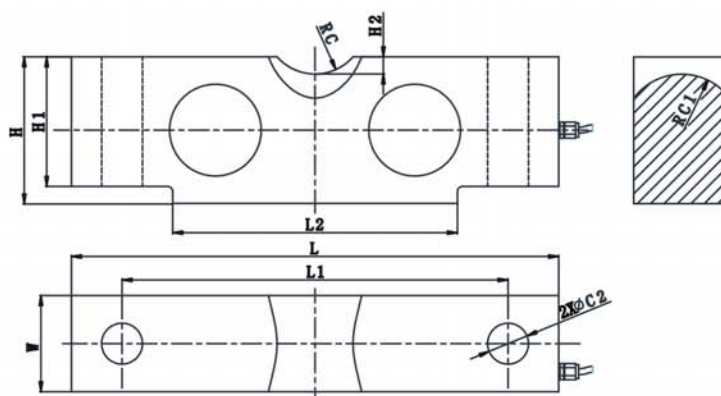
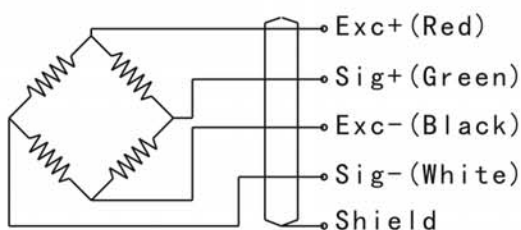


### APPLICATION:

- Weighbridge
- Tank Scale



### Wiring Diagram



Rated Capacity:	L	L1	L2	W	H	H1	H2	C	C1	C2
10,15,25	196.9	165.1	125.1	42.9	49.3	43.2	1.8	19.1	22.9	17.3
40	260.4	215.9	162.4	49.3	62	53.3	2.5	25.4	28.5	21
50,65,75	260.4	216	162.4	62	74.7	67.3	2.8	25.4	34.8	27
100,125	387.4	323.8	228.4	73.6	98	87.1	3.3	38.1	45.7	41

### SPECIFICATIONS

Rated capacity:	10klb to 125klb	Operating temperature range:	-30 to +70°C
Rated output:	3.0 ± 0.003mv/v	Maximum safe overload;	150% OF R.C
Combined error:	± 0.05% F.S	Ultimate safe overload;	200% OF R.C
Non-repeatability:	± 0.02% F.S	Recommended Excitation;	10 to 12V DC
Non-linearity:	± 0.05% F.S	Maximum Excitation;	15V DC
Hysteresis error:	± 0.03% F.S	Environment protection:	IP68
Zero balance:	± 1% F.S	Input impedance:	750 ± 10 Ω
Creep error(30minutes):	± 0.03% F.S	Output impedance:	702 ± 3 Ω
Temperature effect on zero:	± 0.02% F.S	Insulation resistance at 50V DC:	≥ 5000M Ω
Temperature effect on output:	± 0.02% F.S	Material:	nickel-plated alloy steel
Compensated temperature range:	-10 to +40°C	Cable length:	12/16meter, diameter 6mm