

BW Weighing Indicator

General Specifications

- Display 52mm digit LCD display, with white LED backlight
- Keyboard 7 keys (Mechanical switch)
- Housing ABS plastic
- Max. Divisions 6,000e; 30,000d
- Load cell excitation voltage 5V/150mA
- ADC update $\leq 1/10$ second
- Operating Temp. $-10^{\circ}\text{C} \sim +40^{\circ}\text{C}$
- Power AC adapter (12V/500mA), rechargeable battery (6V/4Ah)
- Gross weight 1.6kg



- Easy to use front panel configuration
- Applications: 1. Accumulation 2. Check weighing 3. Net/gross shift
4. Weighing unit conversion 5. Peak hold 6. Animal weighing
- OIML approval from DELTA (approval no. DK0199.165)
- Keyboard lock function
- Optional RS-232 interface
- Optional analog output (0-10V/4-20mA)
- Optional setpoint output (HI/OK/LOW/BEEP)
- Optional bluetooth



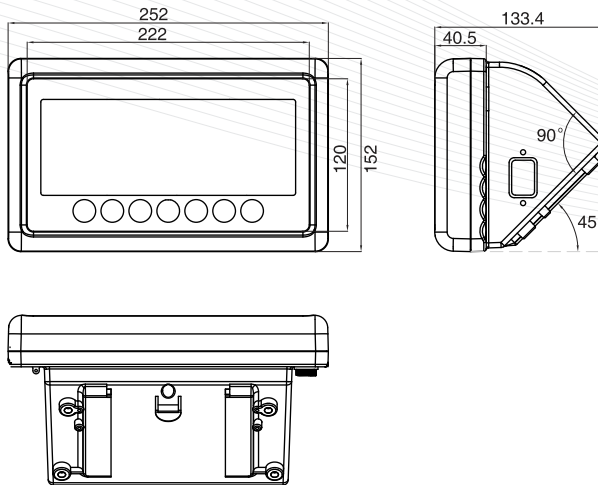
BW Weighing Indicator

Model Name	Capacity	Readability	Division	Approx. weight	Approval
BW	X	X	30,000d	1.6kg	CE
BW-M	X	X	6,000e	1.6kg	CE, OIML

Options



Dimensions(mm)



Print formats

```
NO.: 1
GS: 4.240KG
```

```
DATE: 2012/03/07
TIME: 19:06:37
NO.: 1
GS: 4.235KG
```

```
DATE: 2012/03/07
TIME: 19:08:26
NO.: 2
NT: 4.235KG
TW: 1.810KG
GW: 6.045KG
```

```
DATE: 2012/03/07
TIME: 19:10:54
TOTAL
*****
NO: 3
Total: 12.705KG
```

```
DATE: 2012/03/07
TIME: 19:09:03
NO.: 1
GS: 4.235KG
TOTAL: 4.235KG
```

```
DATE: 2012/03/07
TIME: 19:10:48
NO.: 3
NT: 4.235KG
TW: 1.810KG
GW: 6.045KG
TOTAL: 12.705KG
```