

KW Weighing Indicator

General Specifications

- | | |
|--------------------------------|---|
| • Display | 24mm digit LCD display, with white LED backlight |
| • Keyboard | 7keys(Membrane keyboard) |
| • Housing | ABS plastic |
| • Max. Divisions | 6,000e; 30,000d |
| • Load cell excitation voltage | 5V/150mA |
| • ADC update | ≤1/10 second |
| • Operate Temp | -10°C~+40°C |
| • Power | AC adapter (12V/500mA), rechargeable battery (6V/4Ah) |
| • Gross weight | 2.5kg |



- An economical general purpose instrument used in a variety of weighing application
- Selectable graduation sizes
- Application: 1. Check weighing 2. Simple parts counting 3. Accumulation 3. Auto print 4. Weighing units conversion
- OIML approval from Delta(approval no.DK0199.165)
- Battery provide up to 70 hours of continuous use (without backlight)
- Optional RS-232 interface can connect printer or computer



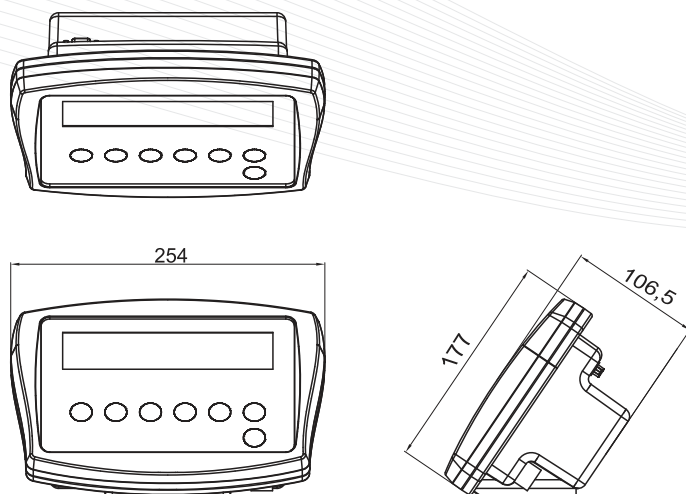
KW Weighing Indicator

Model Name	Capacity	Readability	Division	Approx. weight	Approval
KW	X	X	30,000d	2.5kg	CE
KW-M	X	X	6,000e	2.5kg	CE, OIML

Options



Dimensions(mm)



Print formats

