

Short Description



- Aluminium-alloy IP65 single point load cell
- Colourless anodized
- Suitable for single or double load cell structured platform scales
- Maximum platform size: 400 x 400 mm



Test certificate no. D09-06.11 Rev. 1
C of C no R60/2000-CNI-06.04
C of C no R60/2017-A-NL1-22.10



Certificate no. 11-055

Available Models

Capacity	Accuracy	Full Article Description
3kg	C3/C5	L6N-C3/C5-3kg-3B6
5kg	C3/C5	L6N-C3/C5-5kg-3B6
8kg	C3/C5	L6N-C3/C5-8kg-3B6
10kg	C3/C5	L6N-C3/C5-10kg-3B6
15kg	C3/C4/C5	L6N-C3/C4/C5-15kg-3B6
20kg	C3/C4/C5	L6N-C3/C4/C5-20kg-3B6
30kg	C3/C4	L6N-C3/C4-30kg-3B6
40kg	C3/C4	L6N-C3/C4-40kg-3B6
50kg	C3/C4	L6N-C3/C4-50kg-3B6
75kg	C3/C4	L6N-C3/C4-75kg-3B6
100kg	C3	L6N-C3-100kg-3B6
200kg	C3 Excluded from OIML	L6N-C3-200kg-3B6

Specifications and dimensions are subject to change without notice and do not constitute any liability whatsoever.

Technical Specifications L6N

Accuracy Class		C3	OIML R60 C3	OIML C4	OIML C5
Output Sensitivity (= FS)	mV/V	2.0 ± 0.2			
Maximum Capacity (E _{max})	kg	200	3, 5, 8, 10, 15, 20, 30, 40, 50, 75, 100	15, 20, 30, 40, 50, 75	3, 5, 8, 10, 15, 20
Max. Number of Load Cell Intervals	n _{LC}	3000		4000	5000
Ratio of min. LC Verification Interval	Y = E _{max} / V _{min}	7000	12000	20000	14000
Combined Error	%FS	≤± 0.0230		≤± 0.0175	≤± 0.010
Creep Error (30 minutes)	%FS	≤± 0.0167		≤± 0.0125	≤± 0.010
Temperature Effect on Zero (ZTC)	%FS/10°C	≤± 0.0200		≤± 0.0120	≤± 0.010
Temperature Effect on Sensitivity (STC)	%FS/10°C	≤± 0.0175		≤± 0.0131	≤± 0.009
Zero Balance	%FS	≤ ± 2.0			
Safe Overload	%FS	150			
Ultimate Overload	%FS	200			
Maximum Deflection	mm	3kg - 30kg: 0.6 – 0.9		40kg - 200kg: 0.3 – 0.5	
Eccentric Loading Error	%Ld/cm	0.002			
Excitation, Recommended Voltage	V	5 ~ 15			
Excitation, Maximum Voltage	V	18			
Input Resistance	Ω	406 ± 6			
Output Resistance	Ω	350 ± 3			
Insulation Resistance (50V)	MΩ	≥5000			
Compensated Temperature	°C	-10 ~ + 40			
Operating Temperature	°C	-35 ~ + 65			
Load Cell Weight	kg	~0.3			
Element Material		Aluminium			
Ingress Protection (acc. to EN 60529)		IP65			
Recommended Torque on Fixation Bolts	Nm	M6: 10			

Wiring

Features:

Cable type: Shielded, 6 conductor cable , conductor AWG 26

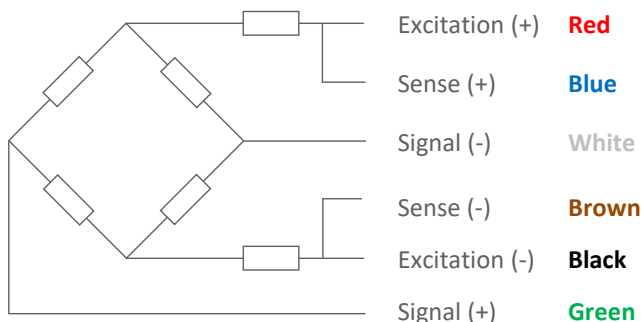
Cable diameter: Ø 4.8 ± 0.2mm

Cable length: 3.0 ± 0.05m

Cable jacket: PVC

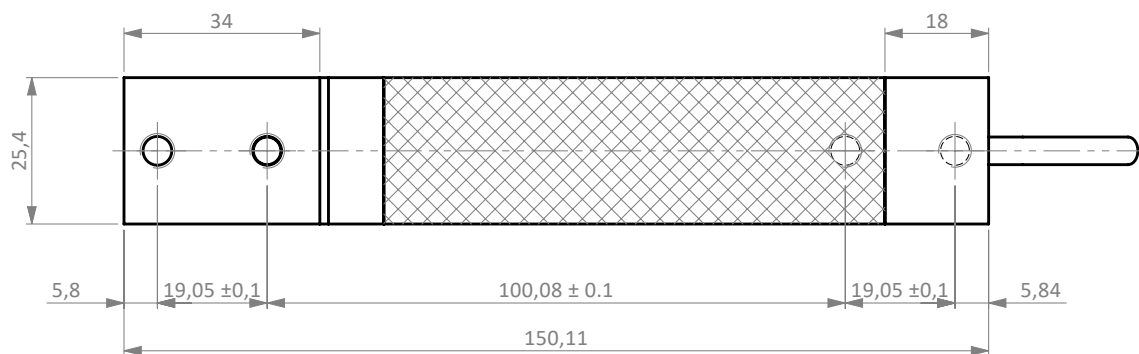
Shield not connected to element

6-Wire Connection Diagram

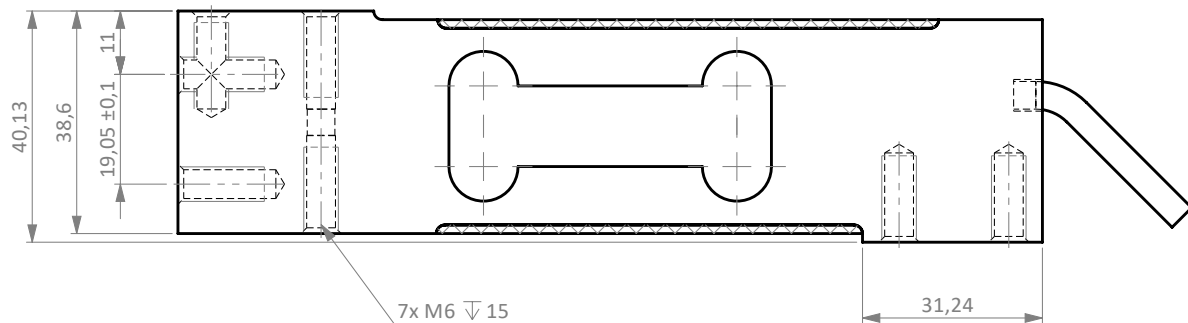


Dimensions in mm

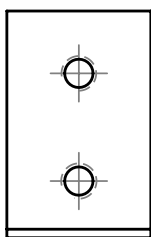
Top View



Front View



Side View



Isometric View

