



PS 4500.R1.M Precision Balance, PS 1000.R1 Precision Balance, PS 750.R1 Precision Balance,
PS 6100.R1.M Precision Balance, PS 600.R1 Precision Balance

More information on the website
radwag.com/en/info,w1,WKD



PS 4500.R1.M Precision Balance
PS 6100.R1.M Precision Balance

PS 1000.R1 Precision Balance
PS 750.R1 Precision Balance
PS 600.R1 Precision Balance

The drawings, photos and graphics used are for illustrative purposes only.

Functions



Autotest



Dosing



Percent Weighing



Totalizing



Parts counting



Peak hold



Newton unit
measurement



Statistics



Checkweighing



GLP Procedures



Animal weighing



Density determination

Datasheet

| | PS 600.R1 Precision Balance | PS 750.R1 Precision Balance | PS 1000.R1 Precision Balance |
|---------------------------------|-------------------------------------------------------------------------------------------|-------------------------------------------------------------------------------------------|-------------------------------------------------------------------------------------------|
| Metrological parameters | | | |
| Maximum capacity [Max] | 600 g | 750 g | 1000 g |
| Minimum load | 20 mg | 20 mg | 20 mg |
| Readability [d] | 0,001 g | 0,001 g | 0,001 g |
| Tare range | -600 g | -750 g | -1000 g |
| Repeatability (Max) | 0,0015 g | 0,0015 g | 0,0015 g |
| Repeatability (5% Max) | 0,0005 g | 0,0005 g | 0,0005 g |
| Linearity | ±0,002 g | ±0,003 g | ±0,003 g |
| Stabilization time | 2 s | 2 s | 2 s |
| Adjustment | external | external | external |
| Physical parameters | | | |
| Leveling system | manual | manual | manual |
| Display | LCD (backlit) | LCD (backlit) | LCD (backlit) |
| Delivery components | Balance, weighing pan, weighing pan shield, grounding bumper ×1, bumper ×3, power supply. | Balance, weighing pan, weighing pan shield, grounding bumper ×1, bumper ×3, power supply. | Balance, weighing pan, weighing pan shield, grounding bumper ×1, bumper ×3, power supply. |
| Weighing pan dimensions | 128×128 mm | 128×128 mm | 128×128 mm |
| Device dimensions | | | |
| Packaging dimensions | 475×380×345 mm | 475×380×345 mm | 475×380×345 mm |
| Net weight | 3,2 kg | 3,2 kg | 3,2 kg |
| Gross weight | 4,5 kg | 4,5 kg | 4,5 kg |
| Construction | | | |
| Protection class | IP 43 | IP 43 | IP 43 |
| Communication interface | | | |
| Communication interface | 2×RS232 ¹ , USB-A, USB-B, Wi-Fi (option) | 2×RS232 ¹ , USB-A, USB-B, Wi-Fi (option) | 2×RS232 ¹ , USB-A, USB-B, Wi-Fi (option) |
| Electrical parameters | | | |
| Power supply | Adapter: 100 – 240V AC 50/60Hz 0,6A; 12V DC 1,2A Balance: 12 – 15V DC 0,4A max | Adapter: 100 – 240V AC 50/60Hz 0,6A; 12V DC 1,2A Balance: 12 – 15V DC 0,4A max | Adapter: 100 – 240V AC 50/60Hz 0,6A; 12V DC 1,2A Balance: 12 – 15V DC 0,4A max |
| Power consumption max. | | | |
| Power consumption | 4 W | 4 W | 4 W |
| Environmental conditions | | | |
| Operating temperature | +10 ÷ +40 °C | +10 ÷ +40 °C | +10 ÷ +40 °C |
| Storage temperature | | | |
| Relative humidity | 40% ÷ 80% | 40% ÷ 80% | 40% ÷ 80% |

Repeatability is expressed as a standard deviation from 10 weighing cycles. Stabilization time depends on the ambient conditions and the dynamics of weighing pan loading; specified for FAST profile. 1 Barcode scanners, available as weighing instrument accessory, communicate with the instrument via RS232 interface exclusively.

Datasheet

| | PS 4500.R1.M Precision Balance | PS 6100.R1.M Precision Balance |
|---------------------------------|--------------------------------------------------------------------------------------|--------------------------------------------------------------------------------------|
| Metrological parameters | | |
| Maximum capacity [Max] | 4500 g | 6100 g |
| Minimum load | 0,5 g | 0,5 g |
| Readability [d] | 0,01 g | 0,01 g |
| Tare range | -4500 g | -6100 g |
| Repeatability (Max) | 0,008 g | 0,008 g |
| Repeatability (5% Max) | 0,005 g | 0,005 g |
| Linearity | ±0,02 g | ±0,03 g |
| Stabilization time | 1,5 s | 1,5 s |
| Adjustment | external | external |
| Physical parameters | | |
| Leveling system | manual | manual |
| Display | LCD (backlit) | LCD (backlit) |
| Delivery components | Balance, weighing pan, weighing pan shield, power supply | Balance, weighing pan, weighing pan shield, power supply |
| Weighing pan dimensions | 195×195 mm | 195×195 mm |
| Device dimensions | 333x206x107 mm | 333x206x107 mm |
| Packaging dimensions | 475×380×345 mm | 475×380×345 mm |
| Net weight | 4,5 kg | 4,5 kg |
| Gross weight | 5,5 kg | 5,5 kg |
| Construction | | |
| Protection class | IP 43 | IP 43 |
| Communication interface | | |
| Communication interface | 2×RS232 ¹ , USB-A, USB-B, Wi-Fi (option) | 2×RS232 ¹ , USB-A, USB-B, Wi-Fi (option) |
| Electrical parameters | | |
| Power supply | Adapter: 100 – 240V AC 50/60Hz 0,6A; 12V DC 1,2A Balance: 12 – 15V DC 0,4A max | Adapter: 100 – 240V AC 50/60Hz 0,6A; 12V DC 1,2A Balance: 12 – 15V DC 0,4A max |
| Power consumption max. | 4 W | |
| Power consumption | 4 W | 4 W |
| Environmental conditions | | |
| Operating temperature | +10 ÷ +40 °C | +10 ÷ +40 °C |
| Storage temperature | -20 ÷ +50 °C | -20 ÷ +50 °C |
| Relative humidity | 40% ÷ 80% | 40% ÷ 80% |

Repeatability is expressed as a standard deviation from 10 weighing cycles. Stabilization time depends on the ambient conditions and the dynamics of weighing pan loading; specified for FAST profile. 1 Barcode scanners, available as weighing instrument accessory, communicate with the instrument via RS232 interface exclusively.

* Wi-Fi® is a registered trademark of Wi-Fi® Alliance.



Accessories

Balance Storage Case
Antivibration Tables
Power Adapters

RS 232, RS 485 cables
Displays
Draft Shield

Cigarette lighter receptacle power supply cables
 USB cable (scale - printer)
 Density determination KIT
 Barcode scanners
 Anti-Draft Chamber for Balances with a 128x128 mm Weighing Pan

Protective cover for balances
 Receipt Printer
 RS 232, RS 485 cables
 Under-pan weighing
 RS 232 cables (scale - printer)

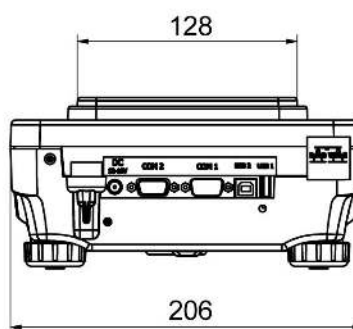
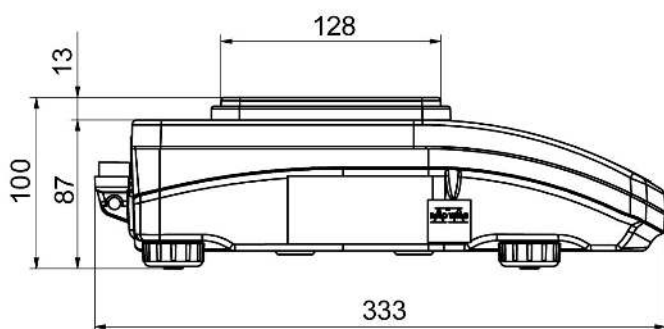
Software

RAD-KEY
 Alibi Reader
 RADWAG Development Studio

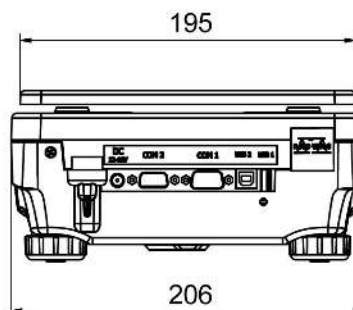
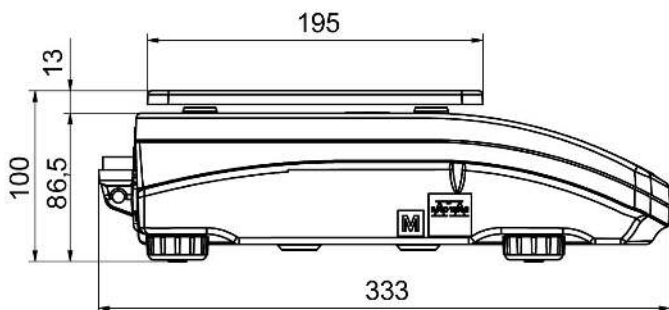
R Panel
 R-LAB

Device dimensions

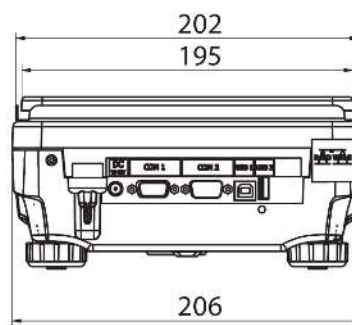
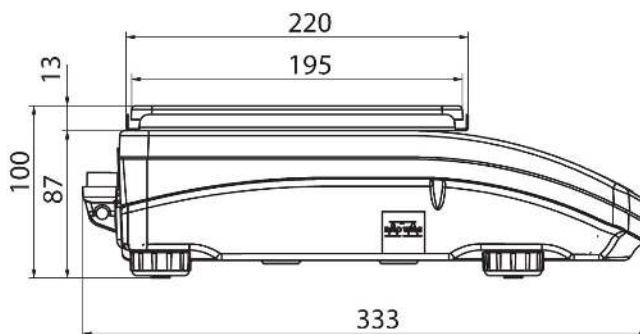
PS 4500.R1.M Precision Balance, PS 1000.R1 Precision Balance, PS 750.R1 Precision Balance, PS 6100.R1.M Precision Balance, PS 600.R1 Precision Balance



PS R, d = 1mg



PS R, d = 10 mg



PS R.M, d = 10 mg