

T2200P Printing Weighing Indicator

General Specifications

- | | |
|--------------------------------|--|
| • Display | 24mm digit LCD display, with white LED backlight |
| • Keyboard | 7keys (Membrane keyboard) |
| • Housing | ABS plastic |
| • Max. Divisions | 30,000d |
| • Load cell excitation voltage | 5V/150mA |
| • ADC update | ≤1/10 second |
| • Operate Temp | 0°C~+40°C |
| • Power | 6v/4Ah |
| • Gross weight | 2.5kg |



- Responds quickly with accurate weighing
- Application: 1. Weighing units conversion 2. Counting 3. Check weighing 4. Accumulation 5. Animal scale accumulation 6. Auto print
- Standard RS-232 can connect to external mini printer, label printer, computer or remote display



T2200P Printing Weighing Indicator

Model Name	Capacity	Readability	Division	Approx. weight	Approval
T2200P	X	X	30,000d	2.5kg	CE

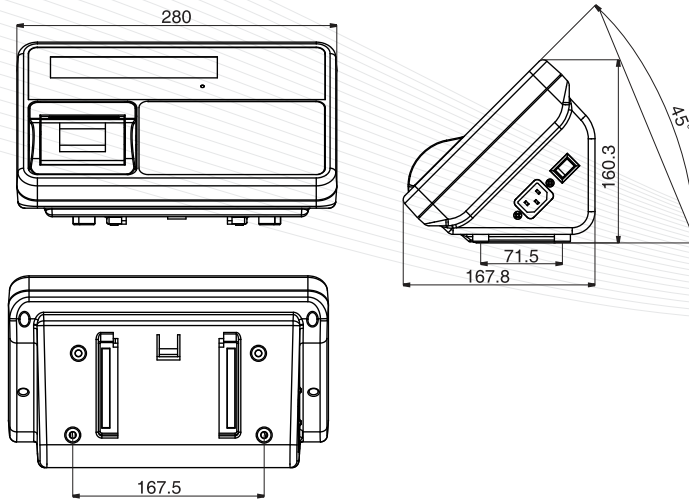
Options



TPuP Printer

OS-2130D Printer

Dimensions(mm)



Print formats

```
NO.: 1
GS: 4.240KG
```

```
DATE: 2012/03/07
TIME: 19:06:37
NO.: 1
GS: 4.235KG
```

```
DATE: 2012/03/07
TIME: 19:08:26
NO.: 2
NT: 4.235KG
TW: 1.810KG
GW: 6.045KG
```

```
DATE: 2012/03/07
TIME: 19:10:54
TOTAL
*****
NO: 3
Total: 12.705KG
```

```
DATE: 2012/03/07
TIME: 19:09:03
NO.: 1
GS: 4.235KG
TOTAL: 4.235KG
```

```
DATE: 2012/03/07
TIME: 19:10:48
NO.: 3
NT: 4.235KG
TW: 1.810KG
GW: 6.045KG
TOTAL: 12.705KG
```