

ZTP/ZSP Price Computing Scales

General Specifications

- Display 14mm digit LCD display, with white LED backlight
- Capacities 6kg~30kg
- Pan size 204 x263mm
- Keyboard 20keys (Membrane keyboard)
- Housing ABS plastic
- Max. Divisions 3,000e; 2 x 3,000e
- ADC update $\leq 1/10$ second
- Operate Temp $-10^{\circ}\text{C} \sim +40^{\circ}\text{C}$
- Power AC adapter (12V/500mA), built-in rechargeable battery (6V/4Ah)
- ZTP Gross weight 4.1kg
- ZSP Gross weight 4.5kg



ZTP



ZSP

- Battery provide up to 60 hours of continuous use (without backlight)
- Standard stainless pan and dust cover
- 4 direct PLU , 99 indirect PLU
- Auto unit price clear
- EC type approved
- Pole display (ZSP) moded selectable
- Optional RS-232 can connect to computer or printer and ECR
- Optional initial-verification

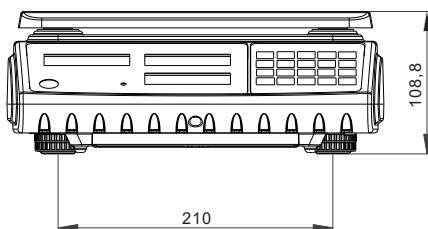
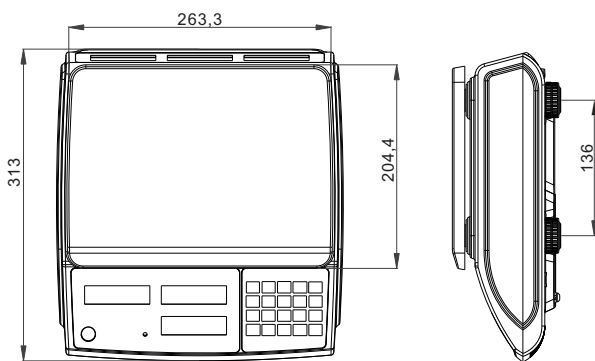
ZTP/ZSP Price Computing Scales

Model Name	Capacity	Readability	Division	Approx. weight	Approval
ZTP-6K-M	6kg	2g	3,000e	4.1kg	CE, OIML
ZTP-15K-M	15kg	5g	3,000e	4.1kg	CE, OIML
ZTP-30K-M	30kg	10g	3,000e	4.1kg	CE, OIML
ZTP-6K-MR	6kg	1g/2g	2x3,000e	4.1kg	CE, OIML
ZTP-15K-MR	15kg	2g/5g	2x3,000e	4.1kg	CE, OIML
ZTP-30K-MR	30kg	5g/10g	2x3,000e	4.1kg	CE, OIML
ZSP-6K-M	6kg	2g	3,000e	4.5kg	CE, OIML
ZSP-15K-M	15kg	5g	3,000e	4.5kg	CE, OIML
ZSP-30K-M	30kg	10g	3,000e	4.5kg	CE, OIML
ZSP-6K-MR	6kg	1g/2g	2x3,000e	4.5kg	CE, OIML
ZSP-15K-MR	15kg	2g/5g	2x3,000e	4.5kg	CE, OIML
ZSP-30K-MR	30kg	5g/10g	2x3,000e	4.5kg	CE, OIML

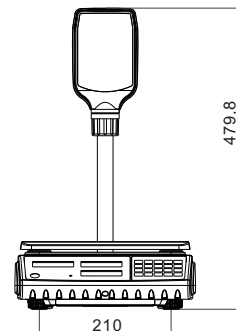
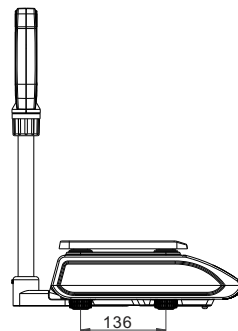
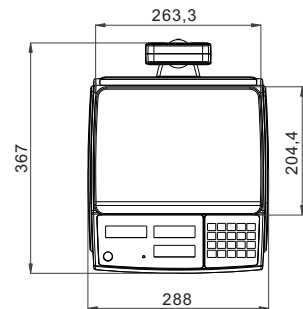
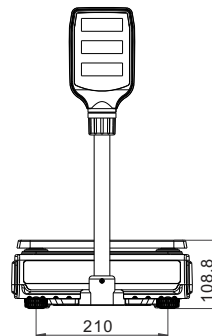
Options



Dimensions(mm)



ZTP



ZSP