

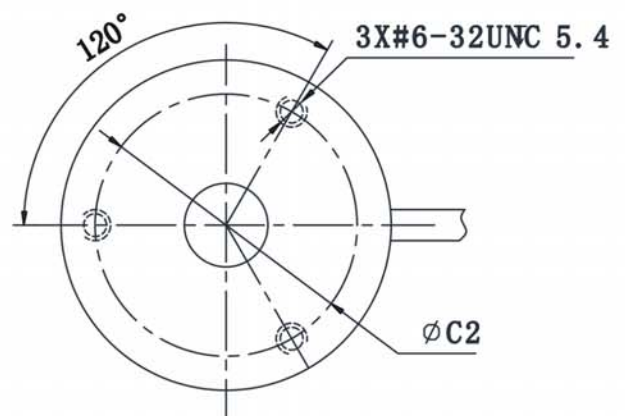
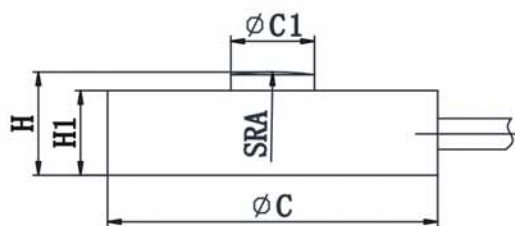
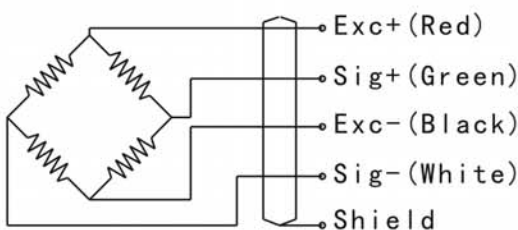
Single-ended shear beam

FEATURES:

- Capacity 200lb to 5klb
- Low-profile, compact
- Stainless steel


APPLICATION:

- Force measurement at small space

Wiring Diagram


Rated Capacity:	C	C1	C2	H	H1	A
200lb、250lb、 500lb、1klb	32	8.1	25.4	10	8.2	35
3klb、5klb	38	10	31.4	16	14	40

SPECIFICATIONS

Rated capacity:	200lb to 5klb	Compensated temperature range:	-10 to +40°C
Rated output:	1.0~2.0mv/v	Operating temperature range:	-30 to +70°C
Combined error:	±0.5% F.S.(200lb~1klb); ±1% F.S.(3klb~5klb)	Maximum safe overload;	120% OF R.C
Non-repeatability:	±0.05% F.S	Ultimate safe overload;	150% OF R.C
Non-linearity:	±0.5% F.S.(200lb~1klb); ±1% F.S.(3klb~5klb)	Recommended Excitation;	5 to 10V DC
Hysteresis error:	±0.5% F.S.(200lb~1klb); ±1% F.S.(3klb~5klb)	Maximum Excitation;	10V DC
Zero balance:	±2% F.S	Environment protection:	IP66
Creep error(30minutes):	±0.2% F.S	Input impedance:	350 ± 50 Ω
Temperature effect on zero:	±0.1% F.S	Output impedance:	352 ± 3 Ω
Temperature effect on output:	±0.2% F.S	Insulation resistance at 50V DC:	≥2000MΩ
		Material:	Stainless steel
		cable length:	1.5 meter, diameter 3mm