

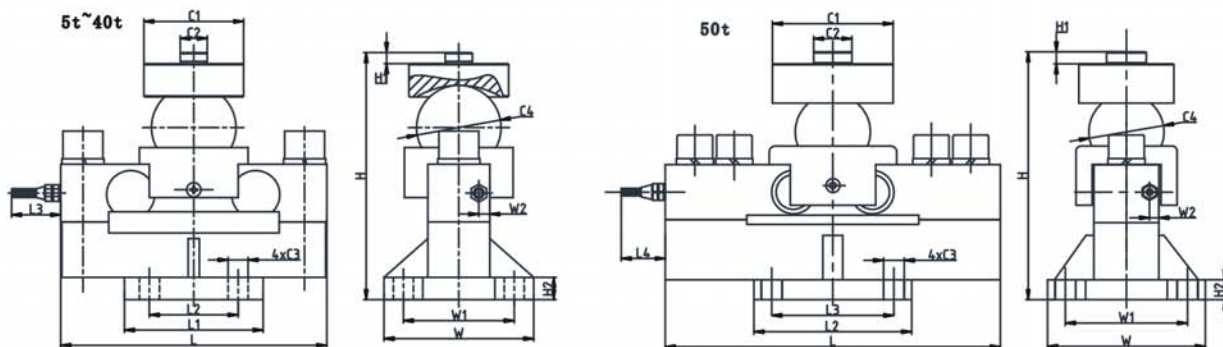
Double-ended shear beam

FEATURES:

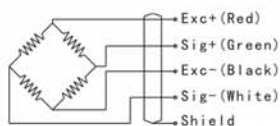
- Capacity: 5t to 50t
- Steel ball loading, strong restoration ability
- Easy complete installation, high weighing accuracy
- OIML C3 Approval

APPLICATION:

- Weighbridge
- Railway Scale
- Batch scale and all kinds of weighing apparatus



Wiring Diagram



Rated Capacity:	L	L1	L2	L3	W	W1	W2	H	H1	H2	C1	C2	C3	C4
5	224	125	80	45	135	100	10	168.8	11	20	Φ68	Φ30	Φ18	Φ50.8
10、15、20、25、30	240	125	80	45	135	100	10	223.5	11	20	Φ85~88	Φ30	Φ18	Φ75
40	240	125	80	45	135	100	10	239.5	11	20	Φ88	Φ30	Φ18	Φ75
50	340	160	124	45	160	124	10	260	11	20	Φ98	Φ40	Φ22	Φ75

SPECIFICATIONS

Rated capacity:	5ton to 50ton	Maximum safe overload;	150% OF R.C
Rated output:	2.0 ± 0.002mv/v	Ultimate safe overload;	200% OF R.C
Combined error:	± 0.03% F.S	Recommended Excitation;	10 to 12V DC
Non-repeatability:	± 0.02% F.S	Maximum Excitation;	15V DC
Non-linearity:	± 0.02% F.S	Environment protection:	IP68
Hysteresis error:	± 0.02% F.S	Input impedance:	750 ± 10Ω
Zero balance:	± 1% F.S	Output impedance:	702 ± 3Ω ; 703 ± 5Ω (导线 ≥ 15m);
Creep error(30minutes):	± 0.02% F.S	Insulation resistance at 50V DC:	≥ 5000MΩ
Temperature effect on zero:	± 0.02% F.S	Material:	nickel-plated alloy steel;
Temperature effect on output:	± 0.02% F.S	Cable length:	5.2meter(5t); 8meter(10t); 10meter(15t); 10/12meter(20t); 12/16 meter(25t~50t), diameter 6mm
Compensated temperature range:	-10 to +40℃		
Operating temperature range:	-30 to +70℃		