

Shear Beam Load Cell

FEATURES:

- Rated capacities of 0.5ton to 7.5tons
- Threaded load hole configuration
- Low profile
- Trade certified for OIML C3
- Optional material, stainless steel version available



APPLICATION:

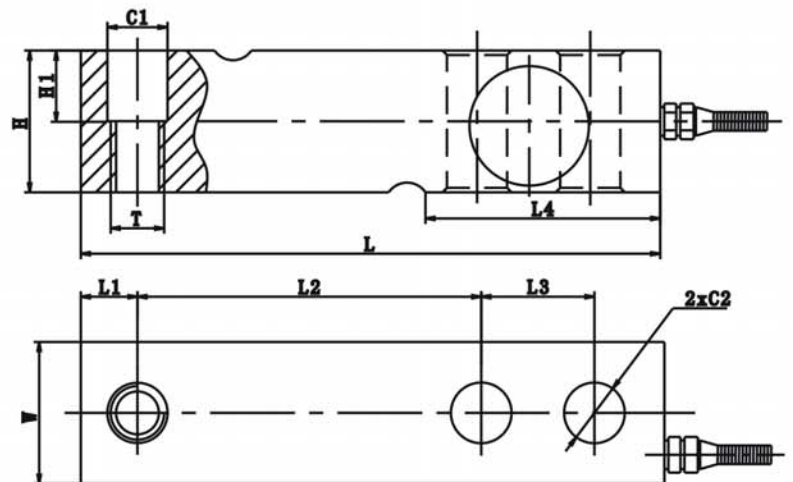
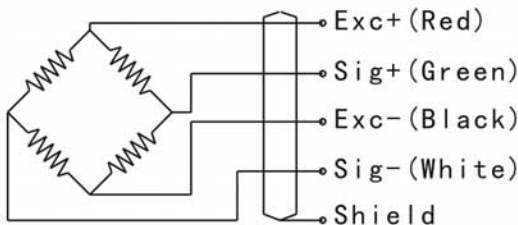
- Floor scale
- Tank weighing
- Bin, vessel and hopper weighing



DESCRIPTION:

Model SQB is a low profile single-ended shear beam load cell, designed for high-accuracy platform scales, pallets scales and process weighing application. It has high immunity to shock or side loading. Being with approval of OIML C3.

Wiring Diagram



Rated Capacity:

ton/mm	L	L1	L2	L3	L4	H	H1	W	C1	C2	T
0.5,1,1.5,2	130	12.6	76.2	25.4	50.5	32	16	32	Φ 13.5	Φ 13	M12
3,5	171.5	19	95.3	38.1	70	48	24	36.5	Φ 20.5	Φ 20.5	M18x1.5

SPECIFICATIONS

Rated capacity:	0.5ton to 7.5tons	Operating temperature range:	-30 to +70°C
Rated output:	2.0 ± 0.002mv/v	Maximum safe overload;	150% OF R.C
Combined error:	± 0.05% F.S	Ultimate safe overload;	180% OF R.C
Non-repeatability:	± 0.02% F.S	Recommended Excitation;	10 to 12V DC
Non-linearity:	± 0.02% F.S	Maximum Excitation;	15V DC
Hysteresis error:	± 0.02% F.S	Environment protection:	IP68
Zero balance:	± 1% F.S	Input impedance:	400 ± 20 Ω
Creep error(30minutes):	± 0.02% F.S	Output impedance:	352 ± 3 Ω
Temperature effect on zero:	± 0.02% F.S	Insulation resistance at 50V DC:	≥ 5000M Ω
Temperature effect on output:	± 0.02% F.S	Material:	nickel-plated alloy steel
Compensated temperature range:	-10 to +40°C	Cable length:	3meter, diameter 6mm